



TAWERS

LA-1800



TAWERS[™]
The Arc Welding Robot System

6 AXIS ARTICULATED MULTI-PURPOSE ROBOTS - LA-SERIES

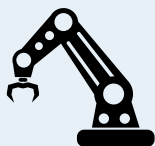
NEW



Medium Type Multi-purpose Robot LA-1800

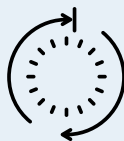
LA-1800

HIGH PAYLOAD CAPACITY



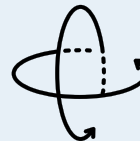
26 kg

HIGH-SPEED OPERATION



Max. motion speed
370°/s (Average for all axes)

WIDE WORKING RANGE



Max. working range
1801 mm

Various applications

Materials handling style:

- Transport / Assembly / Processing work
- Collaboration with welding robots

Welding style:

- TAWERS (WG3 / WGH3)
- External welding machine

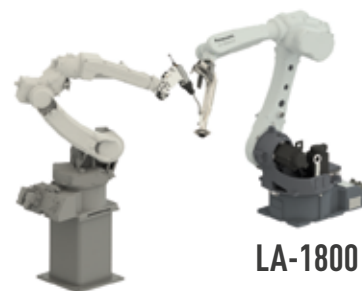
Hybrid style:

- Simultaneously installed tool & torch
- Fixed torch



Hybrid style
(tool & torch)

Jigless welding

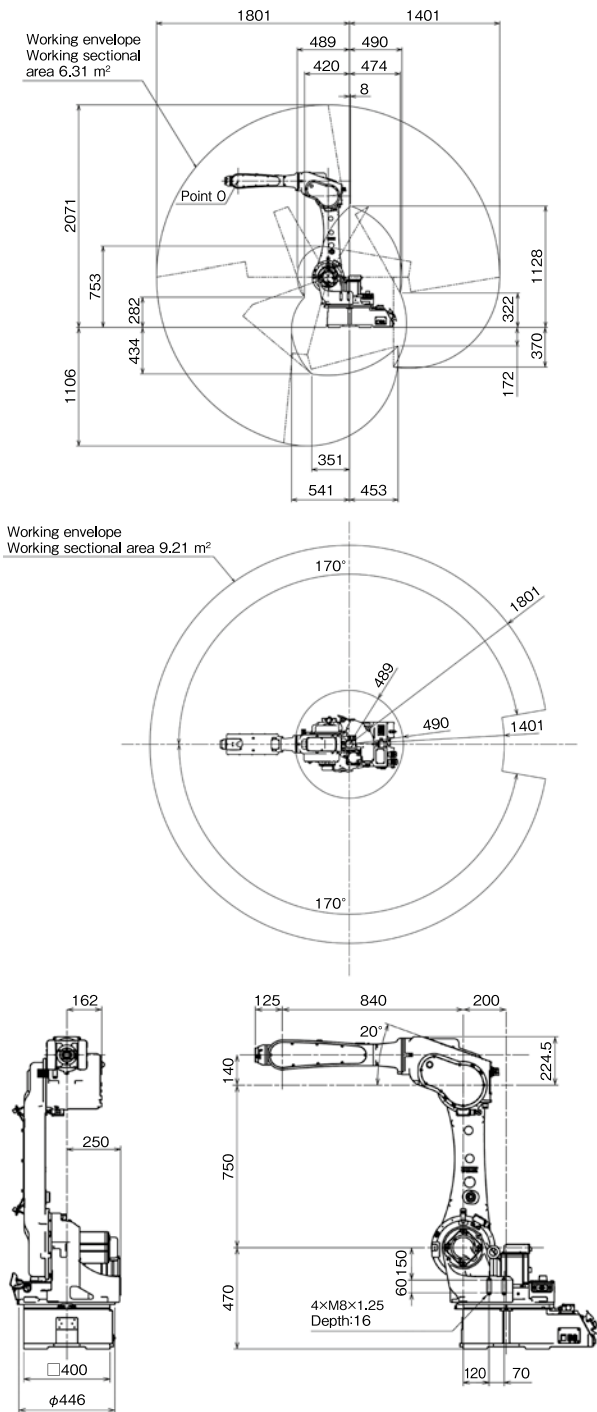


TM1400WG3

LA-1800

LA-1800

DIMENSIONS & WORKING ENVELOPE - LA-1800 LONG TYPE



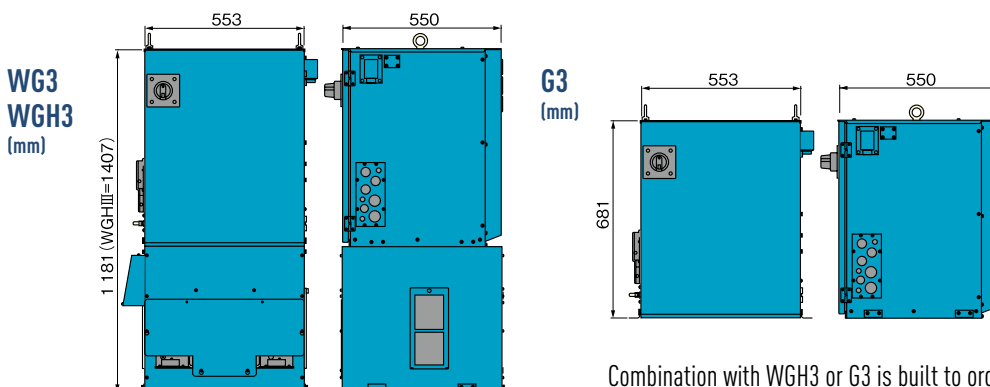
Manipulator General Specifications

Model		LA-1800
Type	Multi-purpose Medium Type	
Structure	6 axis articulated	
Payload	26kg	
Max. Reach	1801mm	
Min. Reach	489mm	
Working Range	1312mm	
Max. Motion Speed	RT (Rotating Trunk)	201°/s
	UA (Upper Arm)	199°/s
	FA (Forearm)	218°/s
	RW (Rotating Wrist)	434°/s
	BW (Bending Wrist)	450°/s
	TW (Twisting Wrist)	720°/s
Position Repeatability	±0.07mm	
Motors	Total Power	6600W
	Brakes	All axes
Mounting	Floor/Ceiling*	
Weight	320kg	

* Ceiling mount type is factory optional.

Controller external dimensions

WG3 and WGH3 include welding power unit



Combination with WGH3 or G3 is built to order.

Panasonic Connect Europe GmbH
Robot & Welding Systems Europe

Jagenbergstraße 11a
41468 Neuss, Deutschland

Phone: +49(0)2131/60899-0
E-Mail: pwse.sales@eu.panasonic.com

pfse.panasonic.eu

 **JUST WELD IT!**