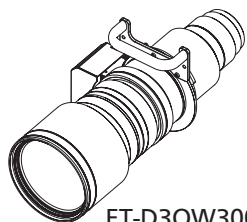
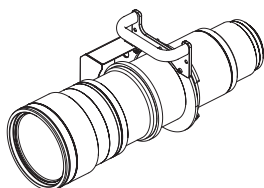


## Operating Instructions

Zoom lens **Commercial Use**



ET-D3QW300



ET-D3QS400

Model No.

ET-D3QW300

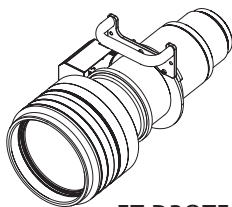
ET-D3QS400

ET-D3QT500

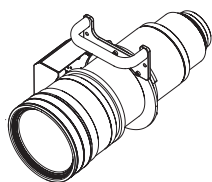
ET-D3QT600

ET-D3QT700

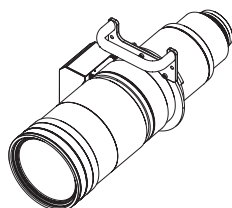
ET-D3QT800



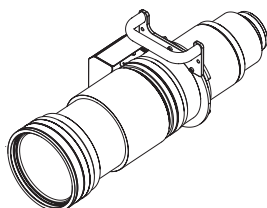
ET-D3QT500



ET-D3QT600



ET-D3QT700



ET-D3QT800

ENGLISH

FRANÇAIS

日本語

Thank you for purchasing this Panasonic product.

- To ensure correct use of this lens, please read the operating instructions supplied with the lens and the projector carefully.
- **Before using this product, be sure to read “Read this first!” (▶ Page 3).**
- Please save this manual for future use.

# Contents

<b>Read this first!</b> .....	<b>3</b>
<b>Before Use</b> .....	<b>4</b>
<b>Preparation</b> .....	<b>4</b>
Before replacing the projection lens .....	4
Attaching and Detaching the Lens .....	4
Peripheral focus adjustment function .....	5
Lens calibration .....	6
<b>Projection relationships</b> .....	<b>7</b>
<b>Lens shift ranges</b> .....	<b>8</b>
<b>Specifications</b> .....	<b>9</b>
<b>Dimensions</b> .....	<b>10</b>
<b>Projected image size and Projection distance</b> .....	<b>Appendix / Annexe / 付録 1</b>
The "Appendix" can be found after the Japanese language section ( <b>日本語</b> ).	

## **WARNING:**

**Do not look at or place your skin into the light emitted from the lens while the projector is being used.**

Doing so can cause burns or loss of sight.

- Strong light is emitted from the projector's lens. Do not look at or place your hands directly into this light.
- Turn off the power when moving away from the projection lens or projector.

**Do not project an image with the lens cover attached.**

- Doing so can cause fire.

## **CAUTION:**

**Before replacing the projection lens, be sure to turn off the power and disconnect the power plug from the wall outlet.**

- Unexpected projection of light may cause injury to eyes.
- Replacing the projection lens without removing the power plug may result in electric shock.

**Do not stand in front of the lens while the projector is being used.**

Doing so can cause damage and burns to clothing.

- Strong light is emitted from the projector's lens.

**Do not place objects in front of the lens while the projector is being used.**

Doing so can cause fire, damage to the object, or malfunction of the lens and projector.

- Strong light is emitted from the projector's lens.

**Do not open the desiccant bag. Do not eat the contents.**

Inadvertently ingesting desiccant could be harmful.

- If the desiccant gets into your eyes or mouth, immediately rinse with plenty of water and seek medical attention.
- Keep desiccant out of the reach of children.

# Before Use

This zoom lens is a projection lens equipped with an EEPROM<sup>\*1</sup> and stepping motor.

\*1 EEPROM: Electrically erasable programmable read-only memory

## Supported projectors

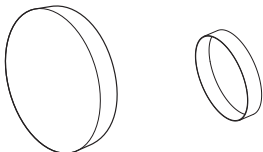
PT-RQ50K

### Note

- Some of the alphabet letters at the end of projector model numbers may be omitted in this manual.
- Models other than the above may also be supported. Refer to the operating instructions for your projector or the website (<https://panasonic.net/cns/projector/>).

## Supplied Accessories

Make sure that the following has been provided.

Part name	Appearance
Lens cover	 <ul style="list-style-type: none"><li>● The product is delivered with lens covers attached.</li><li>● The shape and size of the lens covers are different for each product.</li></ul> <p>1 each for front and rear</p>

# Preparation

## Before replacing the projection lens

Return the projection lens to the home position before replacing or removing it. For details on how to return the lens to the home position, refer to the operating instructions of the projector.

### Attention

- Make sure that the projector power supply is switched off before attaching or detaching the projection lens.
- After removing the projection lens, store it safely away from vibration or impacts.
- Do not touch the electrical contacts of the projection lens with your fingers. Dust and dirt on the contacts may cause contact malfunctions, while static electricity may damage the unit.
- Do not touch the surface of the lens with bare hands. Finger prints and dirt on the surface of the lens will be magnified by the lens and lower the quality of the projected image. Place the supplied lens cover on the zoom lens when the projector is not in use.
- The lens is made of glass. The lens could be damaged if brought into contact with or rubbed against hard objects. Handle the lens carefully.
- Use a clean, soft and dry cloth to wipe away dust and dirt from the projection lens. Do not use fluffy cloths containing oil, water or dust for cleaning. The lens is easily damaged, so do not apply excessive pressure when wiping it.

## Attaching and Detaching the Lens

For details on attaching and detaching the projection lens, refer to the operating instructions of the projector.

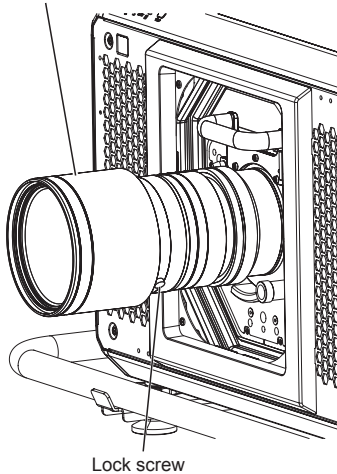
## Preparation (continued)

### Peripheral focus adjustment function

When you change the size of the projected image, the focal balance between the center and peripheral areas of the screen may shift. This shift in balance tends to increase proportionally with smaller throw ratios.

The ET-D3QW300 / ET-D3QS400 / ET-D3QT500 is equipped with a peripheral focus adjustment function to correct the shift in focal balance between the center and peripheral areas of the screen.

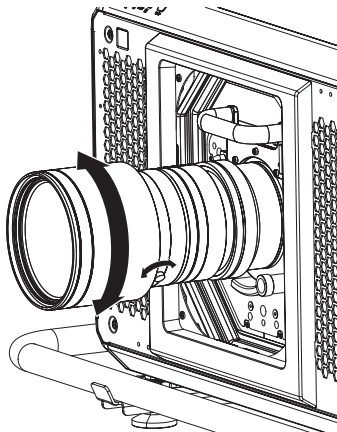
Peripheral focus adjustment ring



The illustrations in this procedure depict attachment of the ET-D3QW300 onto the PT-RQ50K.

- The structure of the peripheral focus adjustment part differs depending on the projection lens type.

### ■ Adjusting the focus



- 1) Loosen the lock screw by turning it counterclockwise.
- 2) Turn the lens barrel tip or peripheral focus adjustment ring in the direction of the arrow to match the projection distance displayed on the lens to the actual distance from the lens to the screen.
- 3) Tighten the lock screw by turning it clockwise.
- 4) Operate the projector to align the focus of the center of the projected image.

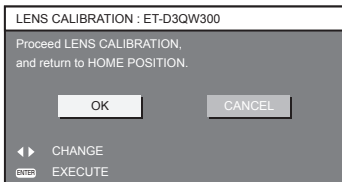
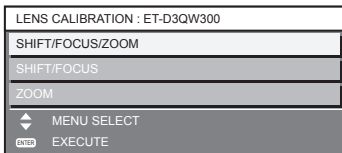
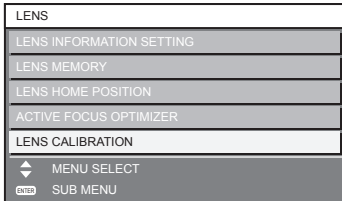
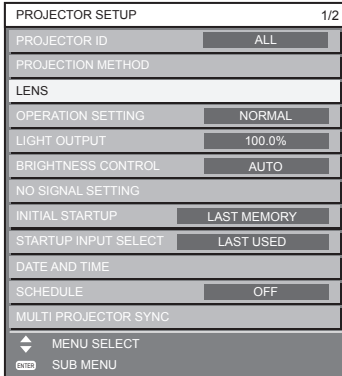
#### Note

- The projection distances displayed on the lens are approximate guides.

# Preparation (continued)

## Lens calibration

Perform lens calibration after attaching the lens.



The illustrations in this procedure depict use of the ET-D3QW300 as an example.

- 1) **Press the <MENU> button.**
- 2) **Use the ▲ and ▼ buttons to select [PROJECTOR SETUP], and press the <ENTER> button.**
  - The [PROJECTOR SETUP] screen appears.
- 3) **Use the ▲ and ▼ buttons to select [LENS], and press the <ENTER> button.**
  - The [LENS] screen appears.
- 4) **Use the ▲ and ▼ buttons to select [LENS CALIBRATION], and press the <ENTER> button.**
  - The [LENS CALIBRATION] screen appears.
- 5) **Use the ▲ and ▼ buttons to select [SHIFT/FOCUS/ZOOM], and press the <ENTER> button.**
  - The confirmation screen appears.
- 6) **Use the ◀ and ▶ buttons to select [OK], and press the <ENTER> button.**
  - Lens calibration starts.
  - The projection lens moves to the home position after adjustment range calibration is complete.

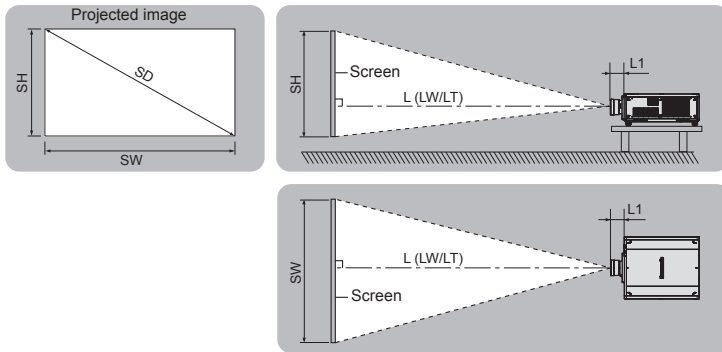
### Note

- If lens calibration is not performed, the available zoom range will be narrowed.

# Projection relationships

The dimensional relationship between the screen and the projector is shown below.

## Dimensional relationship diagram



### Note

- This diagram assumes that the size and position of the projected image will be adjusted so that the image fills the entire screen.
- This illustration is not drawn to scale.

L	L	Projection distance
	LW	Minimum distance
	LT	Maximum distance
L1	L1	Lens protrusion dimension
SH	SH	Projected image height
SW	SW	Projected image width
SD	SD	Projected image size

### Dimension for L1 (approximate values)

(Unit: m)

ET-D3QW300	ET-D3QS400	ET-D3QT500	ET-D3QT600	ET-D3QT700	ET-D3QT800
0.246	0.232	0.208	0.149	0.221	0.267

### Note

- The illustrations of projectors in this manual are for informational purposes only and do not represent a specific projector model. Configurations may vary with the model.

### Attention

- To prevent obstruction of the intake and exhaust vents, install the projector with a clearance at least 500 mm (1 ft. 7 in.) from walls and objects.  
If you are installing the projector in a sealed space, be sure to provide additional air conditioning equipment and ventilation equipment. Insufficient ventilation will result in an accumulation of heat and may activate the projector's protection circuit.
- Avoid setting up in places which are subject to sudden temperature changes, such as near an air conditioner or lighting equipment (studio lamps, etc.).

## Dimensional relationship

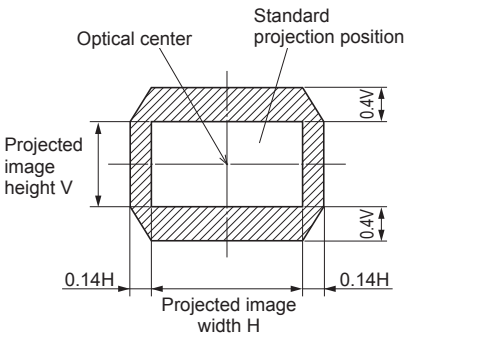
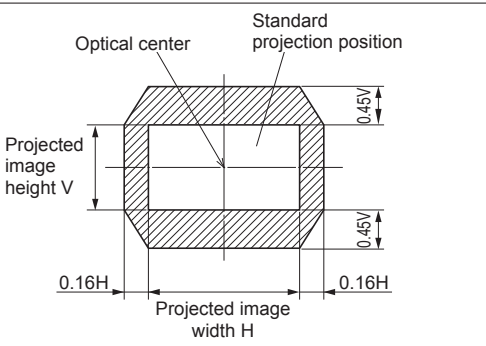
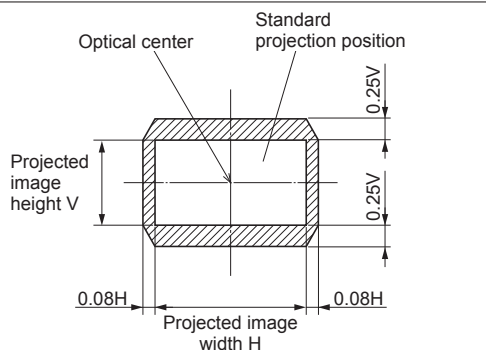
For details on the projection distance (L), refer to "Projected image size and Projection distance" and "Projection distance formulas" in the Appendix.

# Lens shift ranges

After moving the lens to the home position according to “Lens calibration” on page 6, you can use the lens shift adjustment function on the projector to adjust the position of the projected image within the respective lens shift ranges based on the optical screen center position (standard projection position). The optical screen center position is the screen position using the optical center of the projector as the base.

Perform lens shift adjustment within the ranges shown in the following illustrations. Moving the lens outside of the adjustment ranges may alter the focus. This occurs due to limitations in lens movement that are intended to protect the optical components.

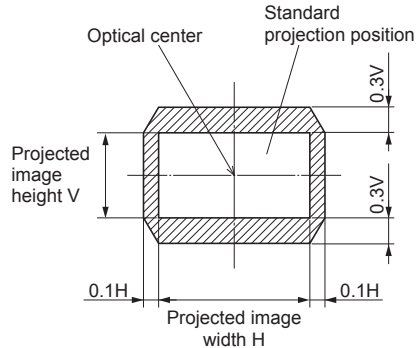
The following illustrations depict lens shift ranges for floor installations of the projector.

<p>ET-D3QW300</p>	 <p>Optical center</p> <p>Standard projection position</p> <p>Projected image height <math>V</math></p> <p>Projected image width <math>H</math></p> <p><math>0.14H</math></p> <p><math>0.14H</math></p> <p><math>0.4V</math></p> <p><math>0.4V</math></p>
<p>ET-D3QS400 / ET-D3QT500</p>	 <p>Optical center</p> <p>Standard projection position</p> <p>Projected image height <math>V</math></p> <p>Projected image width <math>H</math></p> <p><math>0.16H</math></p> <p><math>0.16H</math></p> <p><math>0.45V</math></p> <p><math>0.45V</math></p>
<p>ET-D3QT600</p>	 <p>Optical center</p> <p>Standard projection position</p> <p>Projected image height <math>V</math></p> <p>Projected image width <math>H</math></p> <p><math>0.08H</math></p> <p><math>0.08H</math></p> <p><math>0.25V</math></p> <p><math>0.25V</math></p>



## Lens shift ranges (continued)

ET-D3QT700 / ET-D3QT800



### Note

- The home position of the projector a point of origin position for the lens shift (i.e., vertical and horizontal positions of the lens) based on the results of lens calibration. It is not the optical center position of the screen.

## Specifications

Check the specifications of each projection lens, and use the appropriate lens for your intended use.

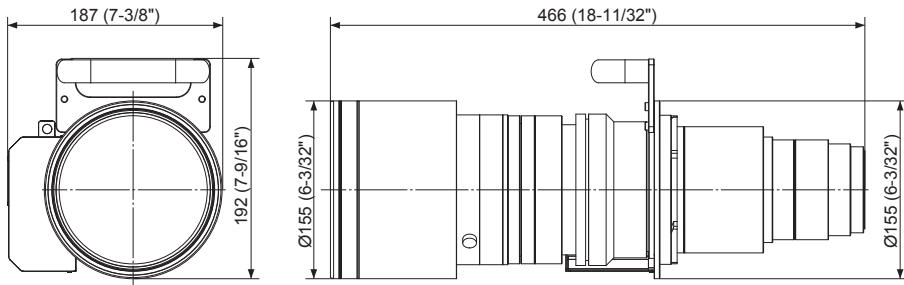
Model No.	ET-D3QW300	ET-D3QS400	ET-D3QT500
F value	2.5	2.5	2.5
Focal Length (f)	35.2 mm (1-3/8") - 53.7 mm (2-1/8")	45.3 mm (1-25/32") - 65.6 mm (2-19/32")	61.4 mm (2-13/32") - 105.2 mm (4-5/32")
Dimensions	Width	187 mm (7-3/8")	198 mm (7-25/32")
	Height	192 mm (7-9/16")	203 mm (8")
	Depth	466 mm (18-11/32")	450 mm (17-23/32")
Net Weight	9.3 kg (20.50 lb)	8.5 kg (18.74 lb)	9.6 kg (21.16 lb)

Model No.	ET-D3QT600	ET-D3QT700	ET-D3QT800	
F value	2.5	2.5	2.5	
Focal Length (f)	85.0 mm (3-11/32") - 121.6 mm (4-25/32")	122.8 mm (4-27/32") - 172.3 mm (6-25/32")	156.5 mm (6-5/32") - 243.1 mm (9-9/16")	
Dimensions	Width	187 mm (7-3/8")	187 mm (7-3/8")	
	Height	192 mm (7-9/16")	192 mm (7-9/16")	192 mm (7-9/16")
	Depth	370 mm (14-9/16")	442 mm (17-13/32")	486 mm (19-1/8")
Net Weight	6.4 kg (14.11 lb)	7.3 kg (16.09 lb)	8.0 kg (17.64 lb)	

# Dimensions

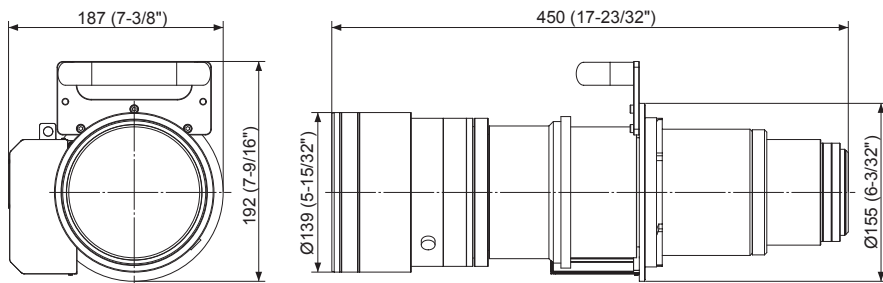
## ET-D3QW300

(Unit: mm)



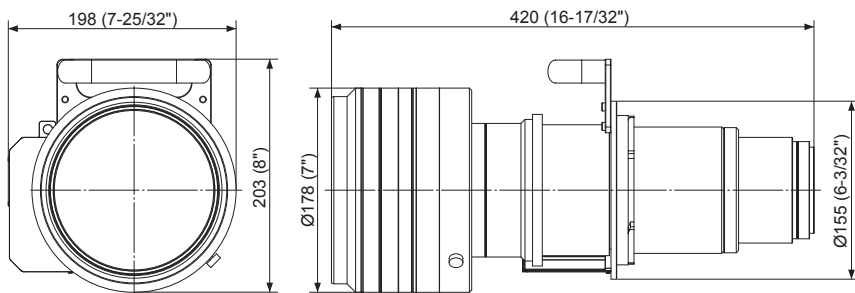
## ET-D3QS400

(Unit: mm)



## ET-D3QT500

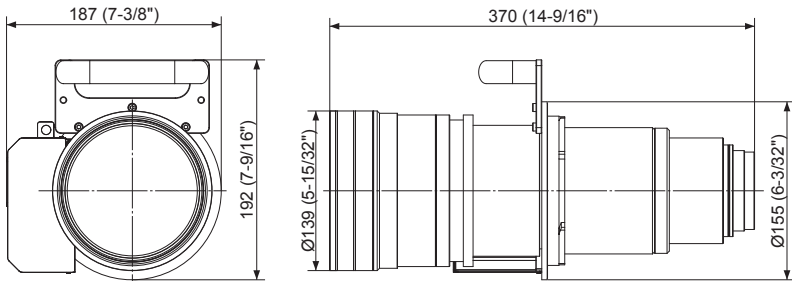
(Unit: mm)



## Dimensions (continued)

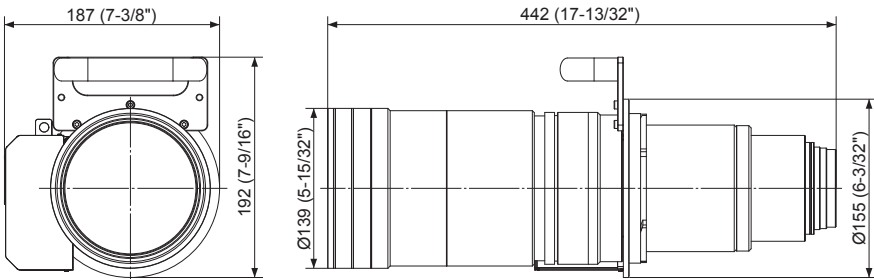
### ET-D3QT600

(Unit: mm)



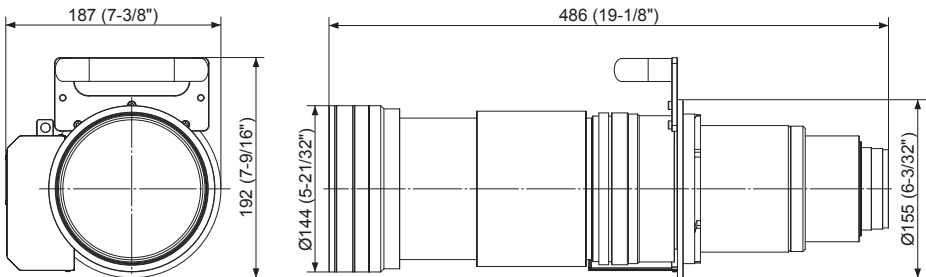
### ET-D3QT700

(Unit: mm)



### ET-D3QT800

(Unit: mm)



## English

**Manufactured by:**

Panasonic Connect Co., Ltd.  
4-1-62 Minoshima, Hakata-ku, Fukuoka 812-8531,  
Japan

**Importer:**

Panasonic Connect Europe GmbH

**Authorized Representative in EU:**

Panasonic Testing Centre  
Winsbergring 15, 22525 Hamburg, Germany

**Importer for UK;**

Panasonic Connect UK,  
a branch of Panasonic Connect  
Europe GmbH,  
Maxis 2, Western Road, Bracknell,  
Berkshire, RG12 1RT



## Italiano

**Fabbricato da:**

Panasonic Connect Co., Ltd.  
4-1-62 Minoshima, Hakata-ku, Fukuoka 812-8531,  
Giappone

**Importatore:**

Panasonic Connect Europe GmbH

**Rappresentante autorizzato nell'UE:**

Panasonic Testing Centre  
Winsbergring 15, 22525 Amburgo, Germania

## Français

**Fabriqué par:**

Panasonic Connect Co., Ltd.  
4-1-62 Minoshima, Hakata-ku, Fukuoka 812-8531,  
Japan

**Importateur :**

Panasonic Connect Europe GmbH

**Représentant autorisé dans l'UE :**

Panasonic Testing Centre  
Winsbergring 15, 22525 Hambourg, Allemagne

## Български

**Производител:**

Panasonic Connect Co., Ltd.  
4-1-62 Minoshima, Hakata-ku, Fukuoka 812-8531,  
Япония

**Вносител:**

Panasonic Connect Europe GmbH

**Упълномощен представител в ЕС:**

Panasonic Testing Centre  
Winsbergring 15, 22525 Hamburg, Германия

## Español

**Fabricado por:**

Panasonic Connect Co., Ltd.  
4-1-62 Minoshima, Hakata-ku, Fukuoka 812-8531,  
Japón

**Importador:**

Panasonic Connect Europe GmbH

**Representante Autorizado para la UE:**

Panasonic Testing Centre  
Winsbergring 15, 22525 Hamburg, Alemania

## Čeština

**Vyrobil:**

Panasonic Connect Co., Ltd.  
4-1-62 Minoshima, Hakata-ku, Fukuoka 812-8531,  
Japonsko

**Dovozce:**

Panasonic Connect Europe GmbH

**Oprávněný zástupce v EU:**

Panasonic Testing Centre  
Winsbergring 15, 22525 Hamburk, Německo

## Deutsch

**Hergestellt von:**

Panasonic Connect Co., Ltd.  
4-1-62 Minoshima, Hakata-ku, Fukuoka 812-8531,  
Japan

**Importeur:**

Panasonic Connect Europe GmbH

**Vertretungsberechtigter in der EU:**

Panasonic Testing Centre  
Winsbergring 15, 22525 Hamburg, Deutschland

## Dansk

**Fremstillet af:**

Panasonic Connect Co., Ltd.  
4-1-62 Minoshima, Hakata-ku, Fukuoka 812-8531,  
Japan

**Importør:**

Panasonic Connect Europe GmbH

**Autoriseret repræsentant i EU:**

Panasonic Testing Centre  
Winsbergring 15, 22525 Hamburg, Tyskland

## Eesti

**Tootja:**

Panasonic Connect Co., Ltd.  
4-1-62 Minoshima, Hakata-ku, Fukuoka 812-8531,  
Jaapan

**Maaletooja:**

Panasonic Connect Europe GmbH

**Volitatud esindaja ELis:**

Panasonic Testing Centre  
Winsbergring 15, 22525 Hamburg, Saksamaa

## Lietuvių

**Gamintojas:**

Panasonic Connect Co., Ltd.  
4-1-62 Minoshima, Hakata-ku, Fukuoka 812-8531,  
Japonija

**Importuotojas:**

Panasonic Connect Europe GmbH

**Igaliotasis atstovas ES:**

Panasonic Testing Centre  
Winsbergring 15, 22525 Hamburgas, Vokietija

## Ελληνικά

**Κατασκευάστηκε από:**

Panasonic Connect Co., Ltd.  
4-1-62 Minoshima, Hakata-ku, Fukuoka 812-8531,  
Ιαπωνία

**Εισαγωγέας:**

Panasonic Connect Europe GmbH

**Εξουσιοδοτημένος αντιπρόσωπος στην ΕΕ:**

Panasonic Testing Centre  
Winsbergring 15, 22525 Hamburg, Γερμανία

## Magyar

**Gyártotta:**

Panasonic Connect Co., Ltd.  
4-1-62 Minoshima, Hakata-ku, Fukuoka 812-8531,  
Japán

**Importőr:**

Panasonic Connect Europe GmbH

**Hivatalos képviselő az EU-ban:**

Panasonic Testing Centre  
Winsbergring 15, 22525 Hamburg, Németország

## Hrvatski

**Proizvodi:**

Panasonic Connect Co., Ltd.  
4-1-62 Minoshima, Hakata-ku, Fukuoka 812-8531,  
Japan

**Uvoznik:**

Panasonic Connect Europe GmbH

**Ovlašteni zastupnik u EU-u:**

Panasonic Testing Centre  
Winsbergring 15, 22525 Hamburg, Njemačka

## Nederlands

**Geproduceerd door:**

Panasonic Connect Co., Ltd.  
4-1-62 Minoshima, Hakata-ku, Fukuoka 812-8531,  
Japan

**Importeur:**

Panasonic Connect Europe GmbH

**Bevoegde vertegenwoordiger in de EU:**

Panasonic Testing Centre  
Winsbergring 15, 22525 Hamburg, Duitsland

## Latviešu

**Ražotājs:**

Panasonic Connect Co., Ltd.  
4-1-62 Minoshima, Hakata-ku, Fukuoka 812-8531,  
Japāna

**Importētājs:**

Panasonic Connect Europe GmbH

**Oficiālais pārstāvis ES:**

Panasonic Testing Centre  
Winsbergring 15, 22525 Hamburg, Vācija

## Norsk

**Produsert av:**

Panasonic Connect Co., Ltd.  
4-1-62 Minoshima, Hakata-ku, Fukuoka 812-8531,  
Japan

**Importør:**

Panasonic Connect Europe GmbH

**Autorisert representant i EU:**

Panasonic Testing Centre  
Winsbergring 15, 22525 Hamburg, Tyskland

## Polski

**Wyprodukowano przez:**

Panasonic Connect Co., Ltd.  
4-1-62 Minoshima, Hakata-ku, Fukuoka 812-8531,  
Japonia

**Importer:**

Panasonic Connect Europe GmbH

**Upoważniony przedstawiciel w UE:**

Panasonic Testing Centre  
Winsbergring 15, 22525 Hamburg, Niemcy

## Slovenščina

**Proizvajala:**

Panasonic Connect Co., Ltd.  
4-1-62 Minoshima, Hakata-ku, Fukuoka 812-8531,  
Japonska

**Uvoznik:**

Panasonic Connect Europe GmbH

**Pooblaščen zastopnik v EU:**

Panasonic Testing Centre  
Winsbergring 15, 22525 Hamburg, Nemčija

## Português

**Fabricado por:**

Panasonic Connect Co., Ltd.  
4-1-62 Minoshima, Hakata-ku, Fukuoka 812-8531,  
Japão

**Importador:**

Panasonic Connect Europe GmbH

**Representante Autorizado na UE:**

Panasonic Testing Centre  
Winsbergring 15, 22525 Hamburgo, Alemanha

## Türkçe

**Tarafından Üretilmiştir:**

Panasonic Connect Co., Ltd.  
4-1-62 Minoshima, Hakata-ku, Fukuoka 812-8531,  
Japonya

**İthalatçı:**

Panasonic Connect Europe GmbH

**AB Yetkili Temsilcisi:**

Panasonic Testing Centre  
Winsbergring 15, 22525 Hamburg, Almanya

## Română

**Fabricat de:**

Panasonic Connect Co., Ltd.  
4-1-62 Minoshima, Hakata-ku, Fukuoka 812-8531,  
Japonia

**Importator:**

Panasonic Connect Europe GmbH

**Reprezentant autorizat în UE:**

Panasonic Testing Centre  
Winsbergring 15, 22525 Hamburg, Germania

## Suomi

**Valmistaja:**

Panasonic Connect Co., Ltd.  
4-1-62 Minoshima, Hakata-ku, Fukuoka 812-8531,  
Japani

**Maahantuoja:**

Panasonic Connect Europe GmbH

**Valtuutettu edustaja EU:ssa:**

Panasonic Testing Centre  
Winsbergring 15, 22525 Hampuri, Saksa

## Slovenčina

**Výrobca:**

Panasonic Connect Co., Ltd.  
4-1-62 Minoshima, Hakata-ku, Fukuoka 812-8531,  
Japonsko

**Dovozca:**

Panasonic Connect Europe GmbH

**Autorizovaný zástupca v EÚ:**

Panasonic Testing Centre  
Winsbergring 15, 22525 Hamburg, Nemecko

## Svenska

**Tillverkad av:**

Panasonic Connect Co., Ltd.  
4-1-62 Minoshima, Hakata-ku, Fukuoka 812-8531,  
Japan

**Importör:**

Panasonic Connect Europe GmbH

**Auktoriserad representant i EU:**

Panasonic Testing Centre  
Winsbergring 15, 22525 Hamburg, Tyskland

# MEMO

---

### Disposal of Old Equipment

#### Only for European Union and countries with recycling systems



This symbol on the products, packaging, and/or accompanying documents means that used electrical and electronic products must not be mixed with general household waste. For proper treatment, recovery and recycling of old products, please take them to applicable collection points in accordance with your national legislation.

By disposing of them correctly, you will help to save valuable resources and prevent any potential negative effects on human health and the environment.

For more information about collection and recycling, please contact your local authority.

Penalties may be applicable for incorrect disposal of this waste, in accordance with national legislation.

### Product Information (for Turkey only)



AEEE Yönetmeliğine Uygundur.

Eski Ekipman ve Bataryaların İşlenmesi.

Sadece geri dönüşüm sistemleri olan Avrupa Birliği ve ülkeleri için geçerlidir.

Ürünler, ambalaj ve/veya ekli belgeler üzerindeki bu semboller kullanılmış elektrik ve elektronik ürünlerin genel ev atığı ile karıştırılmaması gerektiğini ifade eder.

Eski ürünlerin toplanması ve geri kazanılması için bu atıklar lütfen yasayla belirlenmiş olan uygun toplama merkezlerine teslim ediniz.

Bu atıkların doğru işlenmesiyle, değerli kaynakların korunmasına ve insan sağlığı ve çevreye olası negatif etkilerinin engellenmesine yardımcı olabilirsiniz.

Atıkların toplanması ve geri dönüşümü için detaylı bilgi için lütfen bağlı olduğunuz yerel yönetimlerle iletişime geçiniz.

Atıkların atılmasıyla ilgili yanlış uygulamalar yasayla belirlenmiş olan cezalara sebebiyet verebilir.

### Environment care information for users in China



This symbol is only valid in China.

# Panasonic Connect Co., Ltd.

Web Site : <https://panasonic.net/cns/projector/>

© Panasonic Connect Co., Ltd. 2022

## Panasonic Connect North America

Two Riverfront Plaza, Newark, NJ 07102

TEL: (877) 803 - 8492

## Panasonic Canada Inc.

5770 Ambler Drive, Mississauga, Ontario L4W 2T3

TEL: (905) 624 - 5010

HS1119AM1042 -PS

Printed in Japan



# Appendix / Annexe / 付録

## ■ Projected image size and Projection distance ■ Taille de l'image projetée et istance de projection ■ 投写画面サイズと投写距離

- When the screen aspect ratio is 17:9
- Lorsque le rapport d' aspect de l'écran est 17:9
- アスペクト比 17:9

(Unit / Unités / 単位 : m)

Lens model / Modèle d'objectif / 投写レンズ品番			ET-D3QW300		ET-D3QS400		ET-D3QT500	
Throw ratio / Rapport de projection / スローレシオ			1.11 - 1.70:1		1.43 - 2.09:1		2.00 - 3.41:1	
SD	SH	SW	LW	LT	LW	LT	LW	LT
2.54 (100")	1.188	2.245	2.42	3.77	3.13	4.64	4.64	7.80
3.05 (120")	1.426	2.694	2.93	4.55	3.79	5.59	5.51	9.31
3.81 (150")	1.783	3.367	3.69	5.71	4.77	7.02	6.81	11.57
5.08 (200")	2.377	4.490	4.95	7.65	6.40	9.40	8.97	15.33
6.35 (250")	2.971	5.612	6.22	9.60	8.03	11.78	11.14	19.09
7.62 (300")	3.565	6.734	7.49	11.54	9.66	14.17	13.31	22.85
8.89 (350")	4.160	7.857	8.76	13.48	11.29	16.55	15.47	26.62
10.16 (400")	4.754	8.979	10.03	15.42	12.92	18.93	17.64	30.38
12.70 (500")	5.942	11.224	12.56	19.31	16.18	23.69	21.97	37.90
15.24 (600")	7.131	13.469	15.10	23.19	19.44	28.45	26.31	45.43
17.78 (700")	8.319	15.714	17.63	27.07	22.70	33.21	30.64	52.95
20.32 (800")	9.507	17.959	20.17	30.96	25.97	37.98	34.97	60.48
22.86 (900")	10.696	20.203	22.70	34.84	29.23	42.74	39.31	68.00
25.40 (1000")	11.884	22.448	25.24	38.73	32.49	47.50	43.64	75.53
27.94 (1100")	13.073	24.693	27.77	42.61	35.75	52.26	47.97	83.05
30.48 (1200")	14.261	26.938	30.31	46.49	39.01	57.02	52.31	90.58
33.02 (1300")	15.450	29.183	32.84	50.38	42.27	61.79	56.64	98.10
35.56 (1400")	16.638	31.427	35.38	54.26	45.53	66.55	60.97	105.63
38.10 (1500")	17.827	33.672	37.91	58.15	48.80	71.31	65.31	113.16

Lens model / Modèle d'objectif / 投写レンズ品番			ET-D3QT600		ET-D3QT700		ET-D3QT800	
Throw ratio / Rapport de projection / スローレシオ			2.69 - 3.88:1		3.89 - 5.47:1		4.97 - 7.76:1	
SD	SH	SW	LW	LT	LW	LT	LW	LT
2.54 (100")	1.188	2.245	5.92	8.57	8.57	12.09	10.97	17.22
3.05 (120")	1.426	2.694	7.15	10.34	10.34	14.59	13.23	20.75
3.81 (150")	1.783	3.367	8.99	12.99	12.99	18.33	16.62	26.05
5.08 (200")	2.377	4.490	12.06	17.42	17.42	24.57	22.27	34.88
6.35 (250")	2.971	5.612	15.14	21.85	21.85	30.81	27.92	43.71
7.62 (300")	3.565	6.734	18.21	26.28	26.28	37.04	33.57	52.54
8.89 (350")	4.160	7.857	21.28	30.71	30.71	43.28	39.23	61.37
10.16 (400")	4.754	8.979	24.35	35.14	35.14	49.52	44.88	70.20
12.70 (500")	5.942	11.224	30.49	44.00	43.99	62.00	56.18	87.85
15.24 (600")	7.131	13.469	36.64	52.85	52.85	74.47	67.48	105.51
17.78 (700")	8.319	15.714	42.78	61.71	61.71	86.95	78.78	123.17
20.32 (800")	9.507	17.959	48.92	70.57	70.57	99.43	90.09	140.83
22.86 (900")	10.696	20.203	55.07	79.42	79.42	111.90	101.39	158.49
25.40 (1000")	11.884	22.448	61.21	88.28	88.28	124.38	112.69	176.15
27.94 (1100")	13.073	24.693	67.36	97.14	97.14	136.86	123.99	193.81
30.48 (1200")	14.261	26.938	73.50	106.00	106.00	149.33	135.30	211.47
33.02 (1300")	15.450	29.183	79.64	114.85	114.85	161.81	146.60	229.13
35.56 (1400")	16.638	31.427	85.79	123.71	123.71	174.29	157.90	246.79
38.10 (1500")	17.827	33.672	91.93	132.57	132.57	186.76	169.20	264.44

# Appendix / Annexe / 付録 (continued / suite / つづき)

- When the screen aspect ratio is 16:10
- Lorsque le rapport d'aspect de l'écran est 16:10
- アスペクト比 16:10

(Unit / Unités / 単位 : m)

Lens model / Modèle d'objectif / 投写レンズ品番			ET-D3QW300		ET-D3QS400		ET-D3QT500	
Throw ratio / Rapport de projection / スローレシオ			1.32 - 2.02:1		1.70 - 2.48:1		2.36 - 4.03:1	
SD	SH	SW	LW	LT	LW	LT	LW	LT
2.54 (100")	1.346	2.154	2.76	4.30	3.58	5.29	5.23	8.83
3.05 (120")	1.615	2.585	3.34	5.18	4.32	6.37	6.22	10.54
3.81 (150")	2.019	3.231	4.21	6.51	5.43	8.00	7.69	13.10
5.08 (200")	2.692	4.308	5.65	8.71	7.28	10.70	10.15	17.38
6.35 (250")	3.365	5.385	7.09	10.92	9.14	13.41	12.62	21.65
7.62 (300")	4.039	6.462	8.53	13.12	10.99	16.11	15.08	25.93
8.89 (350")	4.712	7.539	9.97	15.33	12.84	18.82	17.54	30.20
10.16 (400")	5.385	8.616	11.41	17.54	14.70	21.52	20.00	34.48
12.70 (500")	6.731	10.770	14.29	21.95	18.40	26.93	24.93	43.03
15.24 (600")	8.077	12.923	17.17	26.36	22.11	32.34	29.85	51.58
17.78 (700")	9.423	15.077	20.05	30.78	25.81	37.75	34.77	60.13
20.32 (800")	10.770	17.231	22.93	35.19	29.52	43.16	39.70	68.68
22.86 (900")	12.116	19.385	25.81	39.60	33.23	48.58	44.62	77.23
25.40 (1000")	13.462	21.539	28.69	44.02	36.93	53.99	49.54	85.78
27.94 (1100")	14.808	23.693	31.57	48.43	40.64	59.40	54.47	94.33
30.48 (1200")	16.154	25.847	34.45	52.84	44.34	64.81	59.39	102.88
33.02 (1300")	17.501	28.001	37.33	57.26	48.05	70.22	64.31	111.43
35.56 (1400")	18.847	30.155	40.21	61.67	51.75	75.63	69.24	119.98
38.10 (1500")	20.193	32.309	43.09	66.08	55.46	81.04	74.16	128.53

Lens model / Modèle d'objectif / 投写レンズ品番			ET-D3QT600		ET-D3QT700		ET-D3QT800	
Throw ratio / Rapport de projection / スローレシオ			3.19 - 4.60:1		4.61 - 6.49:1		5.89 - 9.21:1	
SD	SH	SW	LW	LT	LW	LT	LW	LT
2.54 (100")	1.346	2.154	6.76	9.77	9.77	13.79	12.51	19.62
3.05 (120")	1.615	2.585	8.15	11.79	11.78	16.63	15.08	23.64
3.81 (150")	2.019	3.231	10.25	14.80	14.80	20.88	18.93	29.66
5.08 (200")	2.692	4.308	13.74	19.84	19.84	27.97	25.35	39.69
6.35 (250")	3.365	5.385	17.23	24.87	24.87	35.05	31.77	49.72
7.62 (300")	4.039	6.462	20.72	29.90	29.90	42.14	38.19	59.75
8.89 (350")	4.712	7.539	24.21	34.93	34.93	49.23	44.61	69.79
10.16 (400")	5.385	8.616	27.70	39.96	39.96	56.32	51.03	79.82
12.70 (500")	6.731	10.770	34.68	50.03	50.03	70.50	63.88	99.88
15.24 (600")	8.077	12.923	41.66	60.09	60.09	84.67	76.72	119.95
17.78 (700")	9.423	15.077	48.64	70.16	70.15	98.85	89.56	140.01
20.32 (800")	10.770	17.231	55.62	80.22	80.22	113.02	102.40	160.08
22.86 (900")	12.116	19.385	62.60	90.28	90.28	127.20	115.24	180.14
25.40 (1000")	13.462	21.539	69.58	100.35	100.35	141.38	128.09	200.20
27.94 (1100")	14.808	23.693	76.56	110.41	110.41	155.55	140.93	220.27
30.48 (1200")	16.154	25.847	83.54	120.47	120.47	169.73	153.77	240.33
33.02 (1300")	17.501	28.001	90.52	130.54	130.54	183.91	166.61	260.40
35.56 (1400")	18.847	30.155	97.50	140.60	140.60	198.08	179.45	280.46
38.10 (1500")	20.193	32.309	104.48	150.67	150.67	212.26	192.30	300.53

# Appendix / Annexe / 付録 (continued / suite / つづき)

- When the screen aspect ratio is 16:9
- Lorsque le rapport d'aspect de l'écran est 16:9
- アスペクト比 16:9

(Unit / Unités / 単位 : m)

Lens model / Modèle d'objectif / 投写レンズ品番			ET-D3QW300		ET-D3QS400		ET-D3QT500	
Throw ratio / Rapport de projection / スローレシオ			1.18 - 1.81:1		1.52 - 2.23:1		2.13 - 3.63:1	
SD	SH	SW	LW	LT	LW	LT	LW	LT
2.54 (100")	1.245	2.214	2.55	3.97	3.30	4.88	4.86	8.19
3.05 (120")	1.494	2.657	3.08	4.78	3.99	5.89	5.77	9.77
3.81 (150")	1.868	3.321	3.88	6.01	5.02	7.39	7.14	12.14
5.08 (200")	2.491	4.428	5.21	8.05	6.73	9.89	9.42	16.10
6.35 (250")	3.113	5.535	6.55	10.09	8.44	12.39	11.69	20.05
7.62 (300")	3.736	6.641	7.88	12.13	10.16	14.89	13.97	24.00
8.89 (350")	4.358	7.748	9.21	14.17	11.87	17.40	16.25	27.96
10.16 (400")	4.981	8.855	10.54	16.21	13.59	19.90	18.52	31.91
12.70 (500")	6.226	11.069	13.21	20.30	17.01	24.90	23.08	39.82
15.24 (600")	7.472	13.283	15.87	24.38	20.44	29.91	27.63	47.73
17.78 (700")	8.717	15.497	18.54	28.46	23.87	34.91	32.19	55.64
20.32 (800")	9.962	17.710	21.20	32.54	27.30	39.92	36.74	63.55
22.86 (900")	11.207	19.924	23.87	36.63	30.72	44.92	41.30	71.46
25.40 (1000")	12.453	22.138	26.53	40.71	34.15	49.93	45.85	79.37
27.94 (1100")	13.698	24.352	29.19	44.79	37.58	54.93	50.41	87.28
30.48 (1200")	14.943	26.566	31.86	48.87	41.01	59.94	54.96	95.19
33.02 (1300")	16.188	28.779	34.52	52.95	44.44	64.94	59.51	103.10
35.56 (1400")	17.434	30.993	37.19	57.04	47.86	69.95	64.07	111.01
38.10 (1500")	18.679	33.207	39.85	61.12	51.29	74.95	68.62	118.92

Lens model / Modèle d'objectif / 投写レンズ品番			ET-D3QT600		ET-D3QT700		ET-D3QT800	
Throw ratio / Rapport de projection / スローレシオ			2.87 - 4.13:1		4.14 - 5.83:1		5.30 - 8.28:1	
SD	SH	SW	LW	LT	LW	LT	LW	LT
2.54 (100")	1.245	2.214	6.23	9.02	9.02	12.73	11.55	18.12
3.05 (120")	1.494	2.657	7.52	10.88	10.88	15.35	13.92	21.83
3.81 (150")	1.868	3.321	9.46	13.67	13.67	19.28	17.49	27.40
5.08 (200")	2.491	4.428	12.69	18.33	18.33	25.84	23.43	36.68
6.35 (250")	3.113	5.535	15.92	22.98	22.98	32.40	29.36	45.96
7.62 (300")	3.736	6.641	19.15	27.64	27.64	38.95	35.30	55.24
8.89 (350")	4.358	7.748	22.38	32.29	32.29	45.51	41.24	64.52
10.16 (400")	4.981	8.855	25.60	36.95	36.94	52.07	47.18	73.80
12.70 (500")	6.226	11.069	32.06	46.25	46.25	65.18	59.06	92.36
15.24 (600")	7.472	13.283	38.52	55.56	55.56	78.29	70.94	110.92
17.78 (700")	8.717	15.497	44.98	64.87	64.87	91.41	82.82	129.48
20.32 (800")	9.962	17.710	51.43	74.18	74.18	104.52	94.70	148.04
22.86 (900")	11.207	19.924	57.89	83.49	83.49	117.63	106.58	166.60
25.40 (1000")	12.453	22.138	64.35	92.80	92.80	130.75	118.46	185.16
27.94 (1100")	13.698	24.352	70.80	102.11	102.11	143.86	130.34	203.72
30.48 (1200")	14.943	26.566	77.26	111.42	111.42	156.97	142.22	222.28
33.02 (1300")	16.188	28.779	83.72	120.73	120.73	170.09	154.10	240.84
35.56 (1400")	17.434	30.993	90.17	130.04	130.04	183.20	165.97	259.40
38.10 (1500")	18.679	33.207	96.63	139.35	139.35	196.31	177.85	277.96

# Appendix / Annexe / 付録 (continued / suite / つづき)

- When the screen aspect ratio is 4:3
- Lorsque le rapport d'aspect de l'écran est 4:3
- アスペクト比 4:3

(Unit / Unités / 単位 : m)

Lens model / Modèle d'objectif / 投写レンズ品番			ET-D3QW300		ET-D3QS400		ET-D3QT500	
Throw ratio / Rapport de projection / スローレシオ			1.58 - 2.43:1		2.04 - 2.98:1		2.82 - 4.83:1	
SD	SH	SW	LW	LT	LW	LT	LW	LT
2.54 (100")	1.524	2.032	3.15	4.88	4.07	6.00	5.88	9.96
3.05 (120")	1.829	2.438	3.80	5.88	4.91	7.23	7.00	11.89
3.81 (150")	2.286	3.048	4.78	7.38	6.17	9.07	8.67	14.80
5.08 (200")	3.048	4.064	6.41	9.88	8.26	12.13	11.45	19.64
6.35 (250")	3.810	5.080	8.04	12.38	10.36	15.19	14.24	24.48
7.62 (300")	4.572	6.096	9.67	14.87	12.46	18.26	17.03	29.32
8.89 (350")	5.334	7.112	11.30	17.37	14.56	21.32	19.82	34.16
10.16 (400")	6.096	8.128	12.93	19.87	16.65	24.38	22.60	39.00
12.70 (500")	7.620	10.160	16.19	24.87	20.85	30.51	28.18	48.68
15.24 (600")	9.144	12.192	19.45	29.86	25.04	36.63	33.75	58.35
17.78 (700")	10.668	14.224	22.71	34.86	29.24	42.76	39.32	68.03
20.32 (800")	12.192	16.256	25.97	39.85	33.44	48.88	44.90	77.71
22.86 (900")	13.716	18.288	29.23	44.85	37.63	55.01	50.47	87.39
25.40 (1000")	15.240	20.320	32.49	49.85	41.83	61.13	56.05	97.07
27.94 (1100")	16.764	22.352	35.76	54.84	46.02	67.26	61.62	106.75
30.48 (1200")	18.288	24.384	39.02	59.84	50.22	73.38	67.19	116.43
33.02 (1300")	19.812	26.416	42.28	64.83	54.41	79.51	72.77	126.11
35.56 (1400")	21.336	28.448	45.54	69.83	58.61	85.63	78.34	135.79
38.10 (1500")	22.860	30.480	48.80	74.82	62.80	91.76	83.92	145.47

Lens model / Modèle d'objectif / 投写レンズ品番			ET-D3QT600		ET-D3QT700		ET-D3QT800	
Throw ratio / Rapport de projection / スローレシオ			3.84 - 5.53:1		5.54 - 7.80:1		7.06 - 11.06:1	
SD	SH	SW	LW	LT	LW	LT	LW	LT
2.54 (100")	1.524	2.032	7.68	11.10	11.10	15.66	14.15	22.27
3.05 (120")	1.829	2.438	9.26	13.38	13.38	18.87	17.06	26.82
3.81 (150")	2.286	3.048	11.63	16.80	16.80	23.69	21.42	33.63
5.08 (200")	3.048	4.064	15.58	22.49	22.49	31.71	28.69	44.99
6.35 (250")	3.810	5.080	19.53	28.19	28.19	39.74	35.96	56.35
7.62 (300")	4.572	6.096	23.48	33.89	33.89	47.76	43.23	67.70
8.89 (350")	5.334	7.112	27.43	39.58	39.58	55.78	50.50	79.06
10.16 (400")	6.096	8.128	31.39	45.28	45.28	63.81	57.77	90.42
12.70 (500")	7.620	10.160	39.29	56.67	56.67	79.86	72.30	113.13
15.24 (600")	9.144	12.192	47.19	68.07	68.07	95.91	86.84	135.85
17.78 (700")	10.668	14.224	55.09	79.46	79.46	111.95	101.38	158.56
20.32 (800")	12.192	16.256	63.00	90.85	90.85	128.00	115.92	181.28
22.86 (900")	13.716	18.288	70.90	102.25	102.25	144.05	130.46	203.99
25.40 (1000")	15.240	20.320	78.80	113.64	113.64	160.10	145.00	226.70
27.94 (1100")	16.764	22.352	86.70	125.03	125.03	176.15	159.53	249.42
30.48 (1200")	18.288	24.384	94.60	136.43	136.42	192.20	174.07	272.13
33.02 (1300")	19.812	26.416	102.51	147.82	147.82	208.25	188.61	294.85
35.56 (1400")	21.336	28.448	110.41	159.21	159.21	224.29	203.15	317.56
38.10 (1500")	22.860	30.480	118.31	170.60	170.60	240.34	217.69	340.28

### Note

- A  $\pm 5$  % error in listed projection distances may occur.  
In addition, when [KEYSTONE] is used, distance is corrected to become smaller than the specified screen size.
- The throw ratio is based on the value during projection with the projected image size of 5.08 m (200").
- The periods used in the numbers in the tables are decimal points.

### Remarque

- Une erreur de  $\pm 5$  % dans des distances de projection énumérées peut se produire.  
En outre, lorsque [CORRECTION DE TRAPÈZE] est utilisé, la distance est corrigée pour devenir inférieure à la taille d'écran spécifiée.
- Le rapport de projection est basé sur la valeur en cours de projection avec une taille de l'image projetée de 5,08 m (200").
- Les points utilisés dans les nombres dans les tableaux sont des points décimaux.

### お知らせ

- 記載の投写距離は $\pm 5\%$ 以下の範囲内で誤差が発生します。  
また、[台形補正] 使用時は、所定の画面サイズよりも小さくなる方向で補正されます。
- スローレシオは、投写画面サイズ 200 型投写時の値を基準にしています。

Setting-up dimensions which are not given in the above table can be calculated using the formulas below. Check the projected image size SD (m) and use the following formula to determine projection distance (L).

La configuration des dimensions qui ne sont pas données dans le tableau ci-dessus peut être calculée à l'aide des formules suivantes. Vérifiez la taille de l'image projetée SD (m) et utilisez la formule suivante pour déterminer la distance de projection (L).

上記の表以外の投写寸法は次の計算式で求めることができます。画面対角サイズ SD (m) をご確認のうえ、それぞれの計算式で投写距離 (L) を求めてください。

# Appendix / Annexe / 付録 (continued / suite / つづき)

- Projection distance formulas
- Formules de distance de projection
- 投写距離計算式

The dimensions of the following table contain a slight error.

Periods are used to represent decimal points in the calculation formulas in the following table.

Les dimensions du tableau suivant peuvent présenter un léger écart.

Les points sont utilisés pour indiquer les décimales dans les formules de calcul dans le tableau suivant.

次の表内の寸法は若干の誤差があります。

(Unit / Unités / 単位 : m)

		L	
		LW	LT
ET-D3QW300	When the screen aspect ratio is 17:9 Lorsque le rapport d'aspect de l'écran est 17:9 画面アスペクト比 17:9 のとき	=0.9981 × SD - 0.1156	=1.5291 × SD - 0.1143
	When the screen aspect ratio is 16:10 Lorsque le rapport d'aspect de l'écran est 16:10 画面アスペクト比 16:10 のとき	=1.1341 × SD - 0.1156	=1.7374 × SD - 0.1143
	When the screen aspect ratio is 16:9 Lorsque le rapport d'aspect de l'écran est 16:9 画面アスペクト比 16:9 のとき	=1.0490 × SD - 0.1156	=1.6072 × SD - 0.1143
	When the screen aspect ratio is 4:3 Lorsque le rapport d'aspect de l'écran est 4:3 画面アスペクト比 4:3 のとき	=1.2839 × SD - 0.1156	=1.9669 × SD - 0.1143
ET-D3QS400	When the screen aspect ratio is 17:9 Lorsque le rapport d'aspect de l'écran est 17:9 画面アスペクト比 17:9 のとき	=1.2841 × SD - 0.1267	=1.8748 × SD - 0.1207
	When the screen aspect ratio is 16:10 Lorsque le rapport d'aspect de l'écran est 16:10 画面アスペクト比 16:10 のとき	=1.4590 × SD - 0.1267	=2.1302 × SD - 0.1207
	When the screen aspect ratio is 16:9 Lorsque le rapport d'aspect de l'écran est 16:9 画面アスペクト比 16:9 のとき	=1.3496 × SD - 0.1267	=1.9705 × SD - 0.1207
	When the screen aspect ratio is 4:3 Lorsque le rapport d'aspect de l'écran est 4:3 画面アスペクト比 4:3 のとき	=1.6517 × SD - 0.1267	=2.4115 × SD - 0.1207
ET-D3QT500	When the screen aspect ratio is 17:9 Lorsque le rapport d'aspect de l'écran est 17:9 画面アスペクト比 17:9 のとき	=1.7060 × SD + 0.3072	=2.9627 × SD + 0.2772
	When the screen aspect ratio is 16:10 Lorsque le rapport d'aspect de l'écran est 16:10 画面アスペクト比 16:10 のとき	=1.9384 × SD + 0.3072	=3.3663 × SD + 0.2772
	When the screen aspect ratio is 16:9 Lorsque le rapport d'aspect de l'écran est 16:9 画面アスペクト比 16:9 のとき	=1.7931 × SD + 0.3072	=3.1139 × SD + 0.2772
	When the screen aspect ratio is 4:3 Lorsque le rapport d'aspect de l'écran est 4:3 画面アスペクト比 4:3 のとき	=2.1944 × SD + 0.3072	=3.8109 × SD + 0.2772

# Appendix / Annexe / 付録 (continued / suite / つづき)

(Unit / Unités / 単位 : m)

		L	
		LW	LT
ET-D3QT600	When the screen aspect ratio is 17:9 Lorsque le rapport d' aspect de l'écran est 17:9 画面アスペクト比 17:9 のとき	=2.4187 × SD - 0.2235	=3.4871 × SD - 0.2915
	When the screen aspect ratio is 16:10 Lorsque le rapport d' aspect de l'écran est 16:10 画面アスペクト比 16:10 のとき	=2.7482 × SD - 0.2235	=3.9621 × SD - 0.2915
	When the screen aspect ratio is 16:9 Lorsque le rapport d' aspect de l'écran est 16:9 画面アスペクト比 16:9 のとき	=2.5421 × SD - 0.2235	=3.6651 × SD - 0.2915
	When the screen aspect ratio is 4:3 Lorsque le rapport d' aspect de l'écran est 4:3 画面アスペクト比 4:3 のとき	=3.1111 × SD - 0.2235	=4.4855 × SD - 0.2915
ET-D3QT700	When the screen aspect ratio is 17:9 Lorsque le rapport d' aspect de l'écran est 17:9 画面アスペクト比 17:9 のとき	=3.4871 × SD - 0.2923	=4.9121 × SD - 0.3863
	When the screen aspect ratio is 16:10 Lorsque le rapport d' aspect de l'écran est 16:10 画面アスペクト比 16:10 のとき	=3.9621 × SD - 0.2923	=5.5812 × SD - 0.3863
	When the screen aspect ratio is 16:9 Lorsque le rapport d' aspect de l'écran est 16:9 画面アスペクト比 16:9 のとき	=3.6651 × SD - 0.2923	=5.1627 × SD - 0.3863
	When the screen aspect ratio is 4:3 Lorsque le rapport d' aspect de l'écran est 4:3 画面アスペクト比 4:3 のとき	=4.4855 × SD - 0.2923	=6.3184 × SD - 0.3863
ET-D3QT800	When the screen aspect ratio is 17:9 Lorsque le rapport d' aspect de l'écran est 17:9 画面アスペクト比 17:9 のとき	=4.4498 × SD - 0.3333	=6.9524 × SD - 0.4407
	When the screen aspect ratio is 16:10 Lorsque le rapport d' aspect de l'écran est 16:10 画面アスペクト比 16:10 のとき	=5.0559 × SD - 0.3333	=7.8994 × SD - 0.4407
	When the screen aspect ratio is 16:9 Lorsque le rapport d' aspect de l'écran est 16:9 画面アスペクト比 16:9 のとき	=4.6768 × SD - 0.3333	=7.3071 × SD - 0.4407
	When the screen aspect ratio is 4:3 Lorsque le rapport d' aspect de l'écran est 4:3 画面アスペクト比 4:3 のとき	=5.7237 × SD - 0.3333	=8.9427 × SD - 0.4407

---

# Panasonic Connect Co., Ltd.

Web Site : <https://panasonic.net/cns/projector/>

---

## **Panasonic Connect North America**

Two Riverfront Plaza, Newark, NJ 07102

TEL: (877) 803 - 8492

## **Panasonic Canada Inc.**

5770 Ambler Drive, Mississauga, Ontario L4W 2T3

TEL: (905) 624 - 5010

---

## **パナソニック コネクト株式会社**

〒 571-8503 大阪府門真市松葉町 2 番 15 号 電話 ☎ 0120-872-601