



55-inch Ultra Narrow Bezel LCD Display

TH-55LHV70C

● Product specification (design and specification subject to change without notice)

■ DISPLAY PANEL

Screen Size (Diagonal)	54.6-inch (1387.8 mm)
Panel Type	IPS / D-LED
Aspect Ratio	16:9
Effective Display Area (W x H)	1209.6 x 680.4 mm
Number of Pixels (H x V)	1920 x 1080 pixels
Brightness	700 cd/m ² (typ)
Contrast Ratio	1200:1 (typ)
Dynamic Contrast Ratio	500000:1
Response Time	12 ms (G to G) (typ)
Viewing Angle (Horizontal / Vertical)	178° / 178°
Panel Life Time	approx. 60000 hours (typ)*
Panel Surface Treatment	Anti-glare treatment (Haze 44 %)

* When the panel lifetime is at 50 % of the brightness under the condition of 25 degrees Celsius (+/- 2 degrees Celsius).
Panel lifetime may be shortened due to usage environment.

■ CONNECTION TERMINAL

VIDEO IN	BNC x 1 (Shared with Component Y IN)	1.0 Vp-p (75 Ω)
AUDIO IN (L/R)	Pin jack x 1 set (Side) (Shared with Component IN)	0.5 V rms
HDMI IN	HDMI TYPE A Connector x 1	
Component IN	BNC x 3	Y : 1.0 Vp-p (75 Ω) P _B : 0.7 Vp-p (75 Ω) P _R : 0.7 Vp-p (75 Ω)
AUDIO IN (L/R)	Pin jack x 1 set (Side) (Shared with VIDEO IN)	0.5 V rms
DVI-D IN	DVI-D 24pin x 2	Compliance with DVI Revision 1.0 Compatible with HDCP 1.1
AUDIO IN (L/R)	3.5 mm Stereo mini jack (M3) (Shared with PC IN)	0.5 V rms
DisplayPort IN	DisplayPort x 1 (DP1.1 Dual Mode Only)	
PC IN	Mini D-sub 15pin x1 (Female)	R/G/B : 0.7 Vp-p (75 Ω) H/CS/V : TTL (2.2 kΩ) SOG : 1.0 Vp-p (75 Ω)
AUDIO IN (L/R)	3.5 mm Stereo mini jack (M3) x 1 (Shared with DVI-D IN)	0.5 V rms
USB	TYPE A x 1	

■ CONTROL

SERIAL IN / OUT	D-sub 9pin IN x 1 / OUT x 1, RS-232C COMPATIBLE
DIGITAL LINK IN	RJ45 x 1
DIGITAL LINK OUT	RJ45 x 1
IR IN / OUT	3.5 mm Stereo mini jack (M3) IN x 1 / OUT x 1
LAN	RJ45 x 1 (Shared with DIGITAL LINK IN)

■ AUDIO

Line Out (VAO)	Pin jack x 1 set
Speaker OUT	External Speaker Terminal (L/R), 10 W + 10 W (8 Ω)

■ ELECTRICAL

Power Requirements	220 V [~] AC 50/60 Hz
Power Consumption	330 W (355 VA)
On Mode Average Power Consumption*	168 W
Power off Condition	No Power
Stand-by Condition	0.5 W
BTU	max 1122 BTU

* Based on IEC 62087 Ed.2 measurement method

■ MECHANICAL

Dimensions (W x H x D)	1213 x 684 x 95 mm
Bezel Width	2.25 mm (left / top), 1.25 mm (right / bottom), 3.5 mm (B to B)
Carton Dimensions (W x H x D)	1551 x 961 x 450 mm
Weight	approx. 30 kg
Gross Weight	approx. 46 kg
Cabinet Material / Color	Metal / Black
Pitch for Wall-Hanging	VESA Compliant 400 x 400 mm (Installed by: M6 screws / Screw hole depth 16.3 mm)

■ INSTALLATION REQUIREMENT

Orientation	Landscape / Portrait
Tilting Angle	Vertical only

* Please contact your sales representative with regard to the tilt angle before installation.

■ ENVIRONMENTAL

Operating Environment	Temperature	: 0 °C to 40 °C
	Humidity	: 10 % to 90 % (Non condensation)
Altitude Operating Height		0 - 2000 m
Storage Environment	Temperature	: -20 °C to 60 °C
	Humidity	: 10 % to 90 % (Non condensation)

* Depending on the temperature or humidity conditions, uneven brightness may be observed. This is not a malfunction.
• This unevenness will disappear while applying current continuously. If not, consult the distributor.

MAIN FEATURE

Daisy Chain	DIGITAL LINK*1, RS-232C, IR
Multi Screen	Yes (N x M, up to 10 x 10)
Backup Input	Yes (2 Backup)
1:1 Pixel Mode	Yes
Automatic Picture Position	Yes
Screen Saver	Yes
Wobbling	Yes
ECO Mode	Yes
PC Power Management	Yes
DVI-D / HDMI Power Management	Yes
Input Lock	Yes
Button Lock	Yes
Power ON Delay	Yes
Orientation	Landscape / Portrait
MENU Position Control	Yes
Ceiling-Suspension	Yes Used by Eyebolt. (Two-point concurrent use)
Operating Time*2	24h / 7d
User Memory Function	Yes
Color Calibration	Done
Function Group Setting	Yes
USB Media Player	Yes
ID Auto Setting	Yes
Crestron / AMX Supported	Yes
YFB Series / Extron XTP Supported	Yes

*1: 8 sets with HDCP, 10 sets without HDCP
 *2: In case of running for a long time, the moving image is recommended to be displayed. If you display a still picture for an extended period, the image retention might remain on the screen. However, image retention can gradually disappear by displaying a moving images.

INCLUDED ACCESSORIES

- AC power cord 2 m (3:Europe, UK, Aus)
- Cat5e LAN Cable (2 m)
- External IR receiver Cable (1.5 m)
- Remote Control
- Wire clammer x 3
- Battery (AAA) x 2
- CD-ROM / User Manual
- Operating instruction book
- Warranty Card (Chinese)

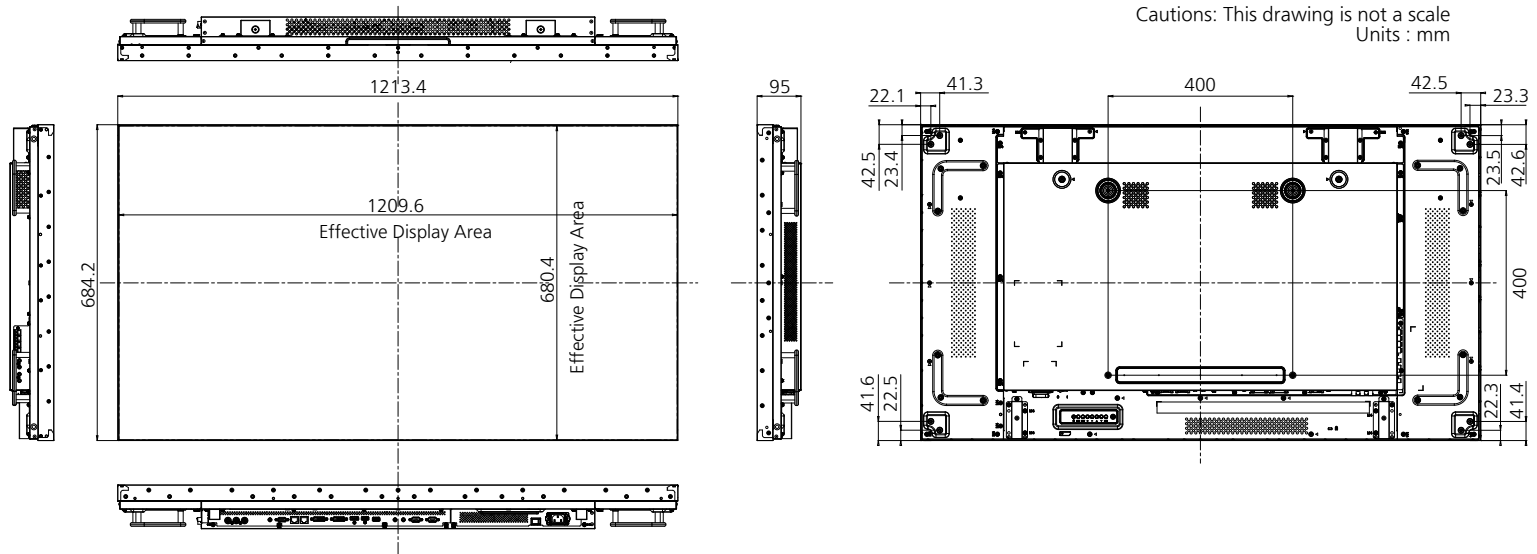
OPTIONAL ACCESSORIES

OPTIONAL ACCESSORIES	TY-VK55LV1
	TY-CF55VW50 (Support from 11 / 2014 product)

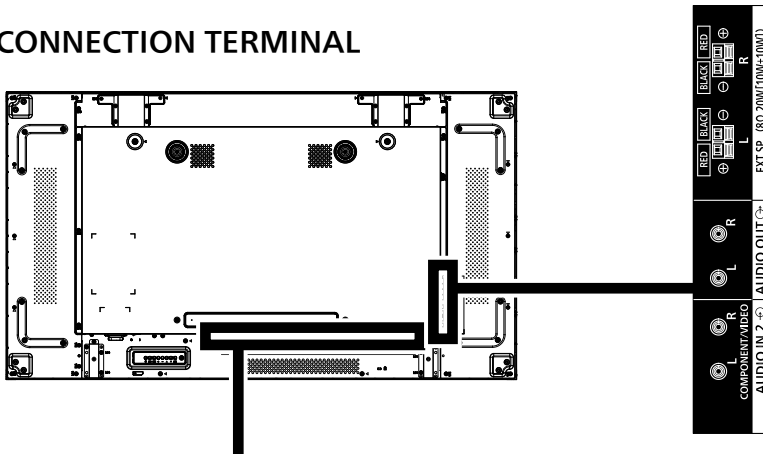
STANDARD (CERTIFICATIONS)

Safety Regulations	GB4943.1-2011
Radiation Regulations	GB9254-2008 (Class A) GB17625.1-2012
Energy Regulation	GB21520-2008

DIMENSIONS



CONNECTION TERMINAL



SERIAL IN	SERIAL OUT	IR IN	IR OUT	USB	HDMI	DisplayPort	DVI-D IN 1	DVI-D IN 2	DIGITAL LINK	LAN	PC IN	AUDIO IN 1	COMPONENT/VIDEO IN

INPUT MODE

PC Resolution:

Standard Resolution	Active Resolution		Refresh Rate	Dot Clock	Aspect Ratio	Stand for Mode
	H Pixels	V Lines				
VGA	640	480	60 Hz	25.175 MHz	4:3	Video Graphic Array
			72 Hz	31.5 MHz		
			75 Hz	31.5 MHz		
			85 Hz	36 MHz		
SVGA	800	600	56 Hz	36 MHz	4:3	Super VGA
			60 Hz	40 MHz		
			72 Hz	50 MHz		
			75 Hz	49.5 MHz		
XGA	1024	768	60 Hz	65 MHz	4:3	Extended Graphic Array
			70 Hz	75 MHz		
			75 Hz	78.75 MHz		
			85 Hz	94.5 MHz		
WXGA	1280	768	60 Hz	80.14 MHz	5:3	Wide XGA
WXGA	1280	800	60 Hz	71 MHz	16:10	Wide XGA
				83.5 MHz		
SXGA	1280	960	60 Hz	108 MHz	4:3	Super XGA
			85 Hz	148.5 MHz		
SXGA	1280	1024	60 Hz	108 MHz	5:4	Super XGA
			75 Hz	135 MHz		
			85 Hz	157.5 MHz		
WXGA	1366	768	60 Hz	86.71 MHz	16:9	Wide XGA
WXGA+	1440	900	60 Hz	88.75 MHz	16:10	Wide XGA+
				106.5 MHz		
UXGA	1600	1200	60 Hz	162 MHz	4:3	Ultra XGA
HD1080	1920	1080	60 Hz	148.5 MHz	16:9	HD1080
HD720	1280	720	60 Hz	74.5 MHz	16:9	HD720

SDTV Resolution:

Standard Resolution	Active Resolution		Refresh Rate	Dot Clock	Aspect Ratio	Stand for Mode
	H Pixels	V Lines				
480i	720	480	29.97 Hz	13.5 MHz	4:3	Modified NTSC
480p			59.94 Hz	27 MHz		Standard
576i	720	480	25 Hz	13.5 MHz	4:3	Modified PAL
576p			50 Hz	27 MHz		Standard

HDTV Resolution:

Standard Resolution	Active Resolution		Refresh Rate	Dot Clock	Aspect Ratio	Stand for Mode
	H Pixels	V Lines				
720P	1280	720	50 Hz	74.25 MHz	16:9	Normally DVB Mode
			60 Hz			
1080i	1920	1080	25 Hz	74.25 MHz	16:9	Normally ATSC Mode
			30 Hz			
1080p	1920	1080	48 Hz	74.25 MHz	16:9	Normally ATSC Mode
			30 Hz			
			25 Hz			
			24 Hz			
1080p	1920	1080	50 Hz	148.5 MHz	16:9	Normally ATSC Mode
			60 Hz			

- The PC text quality is optimum in HD 1080 mode (1920 x 1080, 60 Hz).
- Your PC display screen might appear different depending on the manufacture (and your particular version of Windows).
- Check your PC instruction book for information about connecting your PC to a monitor.
- The display settings table complies to the IBM / VESA standards, and based on the analog input.
- The DVI support mode is regarded as same to the PC support mode.
- The best timing for the vertical frequency to each mode is 60 Hz.